

DT 3160

DUST PROOF WELL GLASS LUMINAIRE

Description

Well glass luminaire to IS 4013 comprises of a lamp enclosure fitted with a toughened heat resistant glass. A specially designed neoprene gasket protects the inside of the luminaire form harmful accumulation of any explosive dust and provides reliable weather proof protection. Suitable for a wide range of lamps, this luminaire provides excellent protection in areas containing hazardous dusts.

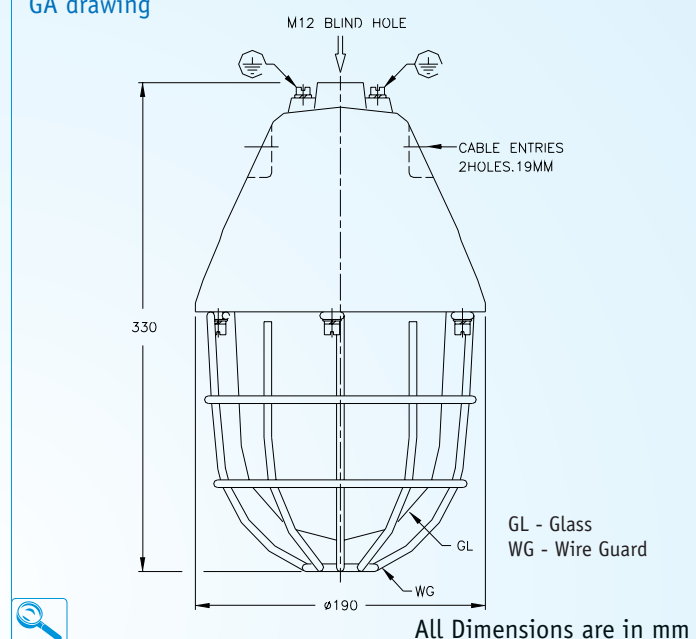
Mechanical Data

Material	: Aluminium LM6
Weight	: 4.0 Kg
IP Protection	: IP 55 to IS 2147
Finish	: Anti corrosive Epoxy - Light Grey Shade 631
Cable Entry	: 2 X 3/4 " BSC
Glass	: Toughened Borosilicate
Wireguard	: 5 mm Welded Steel Construction
Reflector	: Mild Steel - Vitreous Enamelled
Suspension	: Type 'B' Ceiling bracket
Gasket	: Neoprene
Hardware	: Stainless Steel

Electrical Data

Voltage V	: 240 V , 50 Hz AC
Lamp Wattage W	: 200 GLS / 160 MLL / 125 HPMV / 80 HPMV
Wiring	: Fibreglass class F insulated 1.5 sq.mm Standard copper
Max. Cable size	: 3 X 4 sq.mm
Earthing	: External 2 Nos - M6 Internal 1 No - M5

GA drawing



Type of protection	Dust Tight			
Area Classification	Class 2, Div. 1			
Gas Groups	Safe Area			
Apparatus Standard	IS - 4013 & IS- 2147			
CMRI Certificate No.	V / 1 / 2 / 565			
Approvals	CCE, DGFAS			
Temp Rating	T4	T4	T4	T6
Wattage Rating	200 GLS	160MLL	125 HPMV	80 HPMV